

1000V Three-phase On-grid String Inverter

SPI100K-B/SPI110K-B/SPI125K-B



Product Features

High efficient

- Advanced three-level technology max. efficiency 98.8%
- 9~12 MPPTs design, compatible with bifacial PV panel
- Anti-PID and PID recovery function

System optimization

- DC 2 in 1 connection enabled and compatible with AI AC cables
- PLC communication optional, save cable investment
- Night SVG and quick response

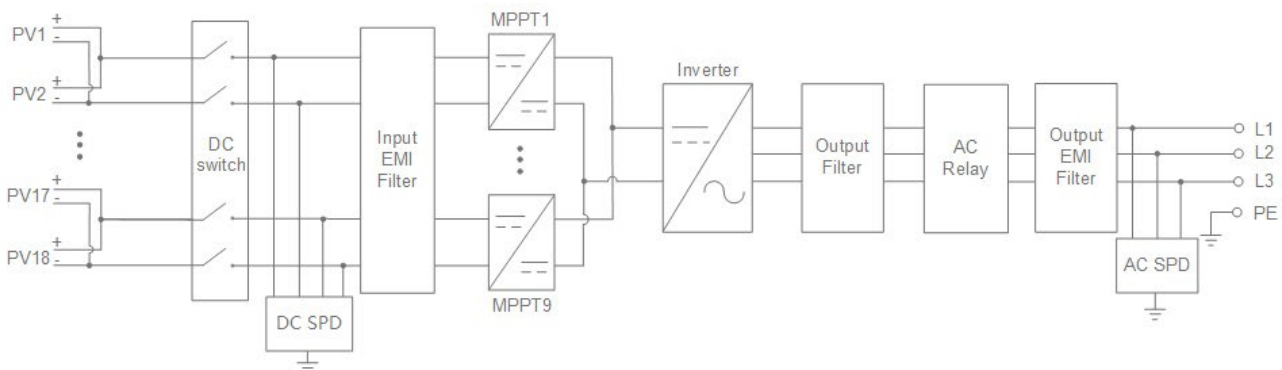
Safe and reliable

- IP66 and C5 anti-corrosion grade, intelligent fan with IP68 protection
- Redundant power supply by AC and DC
- Built-in AC / DC SPD protection

Intelligent management

- Intelligent I-V and fault wave recording, quick failure analysis
- Smart online upgrade, easy for system maintenance
- Capacitor detection and life prediction reduce the failure risk

Function Diagram



Technical Specification

| Items | SPI100K-B | SPI110K-B | SPI125K-B |
|------------------------------------|--|-----------|-----------|
| DC Input | | | |
| Max. PV input voltage | 1100Vdc | | |
| Max. PV input current | 270A | | |
| No. of MPPTs | 9/6 (optional) | | |
| No. of PV strings per MPPT | 2 | | |
| MPPT voltage range | 200Vdc~1000Vdc | | |
| Starting voltage | 250Vdc | | |
| MPPT efficiency | 99.90% | | |
| AC Output | | | |
| Rated AC output power | 100kW | 110kW | 125kW |
| Max. output power | 110kVA | 121kVA | 137.5kVA |
| Rated AC output voltage | 400Vac | | |
| Rated output current | 144.3A | 158.8A | 180.4A |
| Max. output current | 158.8A | 174.7A | 198.5A |
| Rated grid frequency | 50/60Hz | | |
| Grid frequency range | 45~55Hz/55~65Hz | | |
| Power factor | >0.99 (rated power) | | |
| Adjustable power factor | +0.8~-0.8 | | |
| THDi | <3% (rated power) | | |
| Efficiency | | | |
| Max. efficiency | 98.80% | | |
| European efficiency | 98.30% | | |
| Protection | | | |
| Anti-islanding | Yes | | |
| DC reversed connection | Yes | | |
| AC short circuit protection | Yes | | |
| Temperature protection | Yes | | |
| Surge protection | Yes | | |
| PV fault detect | Yes | | |
| DC switch | Yes | | |
| Anti-PID and PID recovery function | Optional | | |
| General | | | |
| Dimensions (W×H×D) | 1030×610×345mm | | |
| Weight | 86kg | | |
| IP grade | IP66 | | |
| Self-consumption at night | <2W | | |
| Cooling type | Intelligent forced air cooling | | |
| Altitude | 5000m (>4000m derating) | | |
| Operating temperature | -35~60°C | | |
| Relative humidity | 0~100% | | |
| Display | LED+WIFI (APP) | | |
| Communication | RS485/WIFI (optional)/GPRS (optional) | | |
| DC terminal | Amphenol H4 | | |
| AC terminal | OT/DT Terminal (maximum 300mm ²) | | |
| Installation method | Wall-mounted | | |
| Standard | NB/T32004-2018, GB/T37408-2019, IEC62109-1, IEC62109-2, IEC61727, IEC62116, IEC61683, EN50549, CEI | | |

- Specifications are subject to change without prior notice.

Kehua Tech

Add: No. 457, Malong Road, Torch High-Tech Industrial Zone, Xiamen Fujian China

Tel: +86-592-5160516 Fax: +86-592-5162166 www.kehua.com

