

PRODUCT LINE

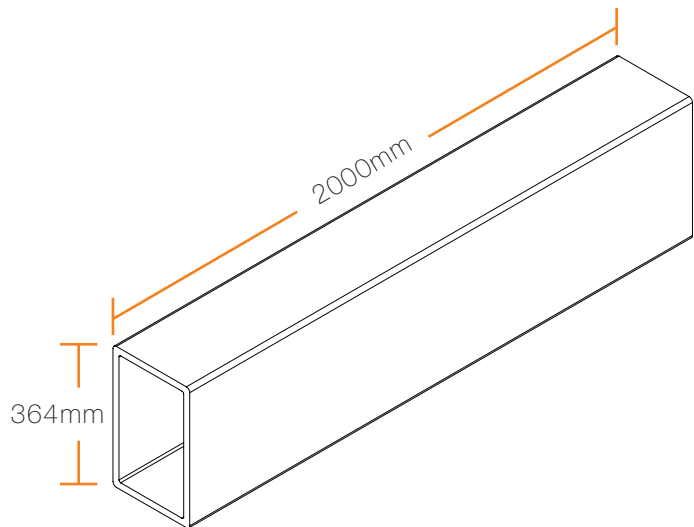
Item	Product Name
CK-FT-SKA	CHIKO 43 Rail Splice Kit

TECHNICAL DATA

Main Material	AL 6005-T5
Wind Load	Up to 60 M/S
Snow Load	1.4 KM/M ²

43 RAIL SPLICE KIT

CHIKO 43R aluminium rail splice kit is designed for 43R rail connection from back to position. The most simple and handy installation way.



ADVANTAGES

- Easy installation
- Highclass anodized

COMPONENT LIST

MATERIAL	QTY
Aluminium Rail Splice Kit	01
SUS304 ϕ 4.2*16	04

WARRANTY



ORDERING SPECIFICS

Standard Packaging	150 PCS/PKG
Dimensions	51X38X22CM
Weight	30KG