

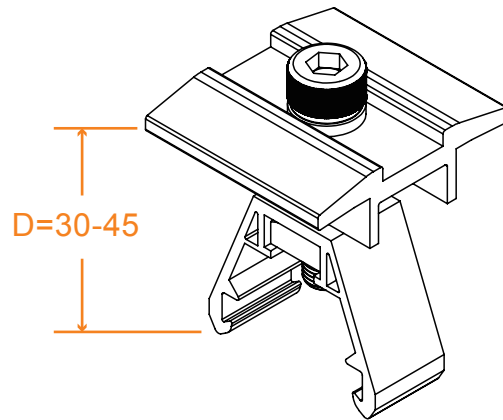


## PRODUCT LINE

Item	Product Name
CK-FTM-T30-45	CHIKO Fix Mid Clamp 30-45mm

## TECHNICAL DATA

Main Material	AL 6005-T5
Tighten torque	15N.m
Safe torque	20N.m



## Adjustable Mid Clamp

CHIKO mid clamps is designed base on 5 Rail to fix module between two module, 30mm to 45mm thickness module are available.

## ADVANTAGES

- Easy installation
- High class anodized
- Clamp nut

## WARRANTY



## COMPONENT LIST

MATERIAL	QTY
Mid Clamp	01
Alu Clamp	01
SUS304 Bolt M8*35	01
SUS304 Spring Washer M8	01
SUS304 Nut M8	01

## ORDERING SPECIFICS

Standard Packaging	80 PCS/BOX 320PCS/CTN
Dimensions	51X38X22CM
Weight	26.6KG